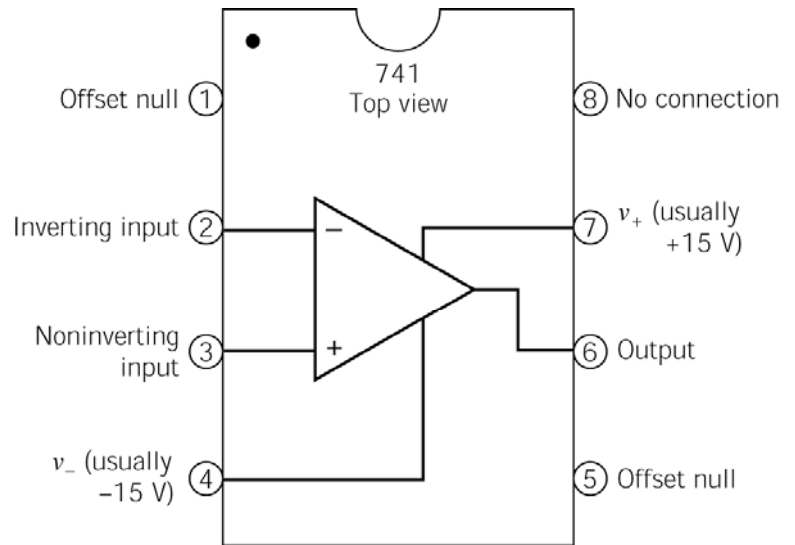
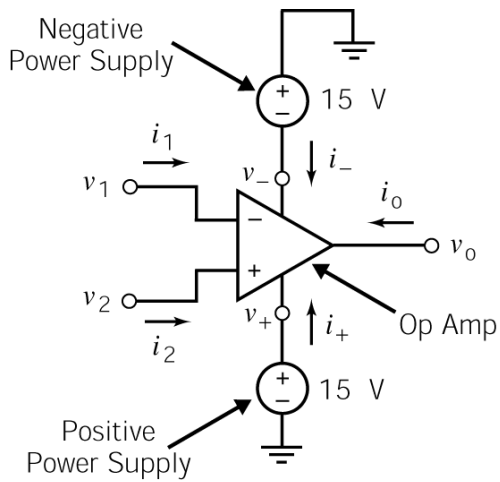


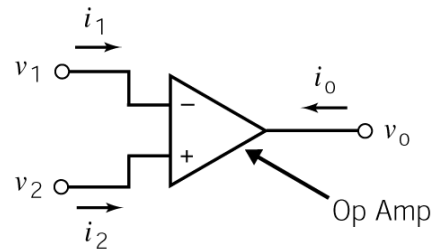
(a)



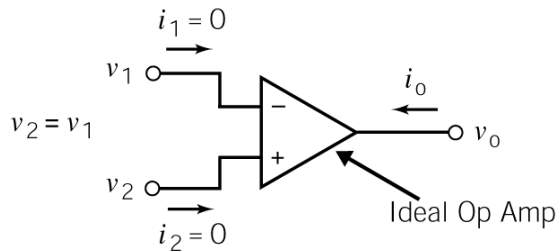
(b)



5 terminal op amp

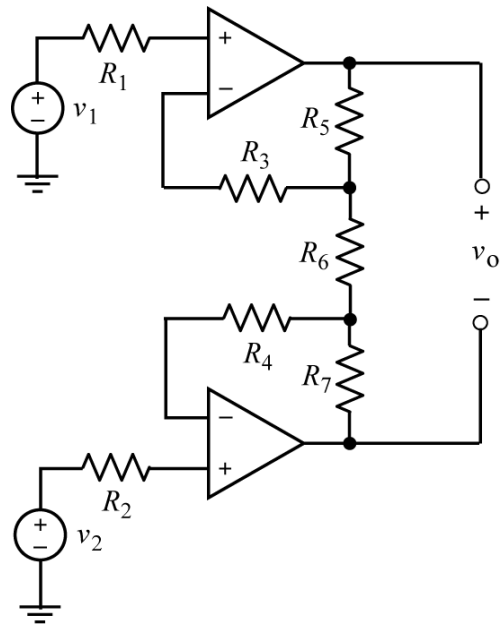


3 terminal op amp



ideal op amp

P1 Express the output voltage, v_o , of this circuit as function of the input voltages, v_1 and v_2 .



P2 Determine the values of the node voltages; v_1 , v_2 and v_o ; of this circuit.

