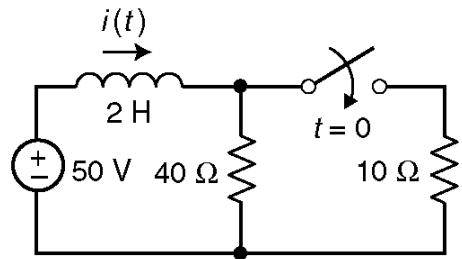


ES 250 2nd Midterm Exam - Fall 2013

Name _____ k4 _____

Student # _____

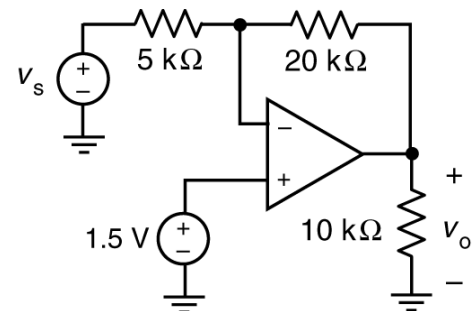
1. The switch in this circuit closes at time $t = 0$. Let $i(0)$ denote the inductor current when the switch is open and the circuit is at steady state. Similarly, let $i(\infty)$ denote the steady state inductor current when the switch is closed.



Determine the values of $i(0)$ and $i(\infty)$:

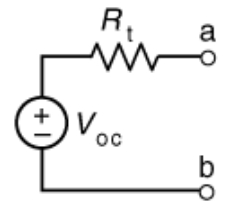
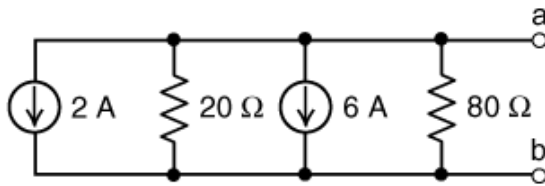
$$i(0) = \underline{\quad 1.25 \quad} \text{ A and } i(\infty) = \underline{\quad 6.25 \quad} \text{ A.}$$

2. The input to this circuit is the voltage v_s . The output is the voltage v_o . The output is related to the input by the equation $v_o = m v_s + b$ where m and b are constants. The values of m and b are:



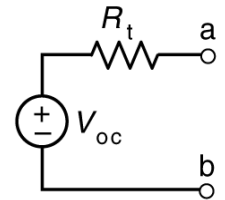
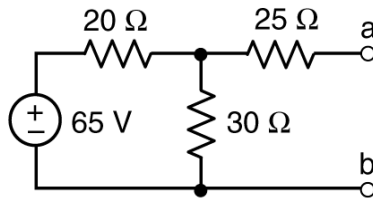
$$m = \underline{\quad -4 \quad} \text{ V/V and } b = \underline{\quad 7.5 \quad} \text{ V.}$$

2. Here's a circuit and its Thevenin equivalent circuit. Determine the values of the Thevenin resistance, R_t , and of the open-circuit voltage, V_{oc} .



$$R_t = \underline{\quad 16 \quad} \Omega \quad \text{and} \quad V_{oc} = \underline{\quad -128 \quad} \text{V}$$

4. Here's a circuit and its Thevenin equivalent circuit. Determine the values of the Thevenin resistance, R_t , and of the open-circuit voltage, V_{oc} .



$$R_t = \underline{\quad 37 \quad} \Omega \quad \text{and} \quad V_{oc} = \underline{\quad 39 \quad} \text{V}$$

5. Given that $0 \leq R \leq \infty$ in this circuit, and given these two observations:

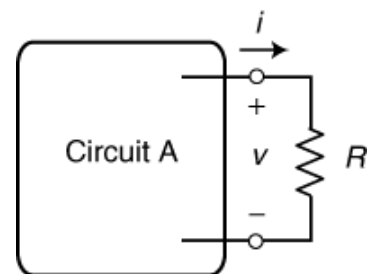
When $R = 0$ then $i = 1.5 \text{ A}$.

When $R = \infty$ then $v = 24 \text{ V}$.

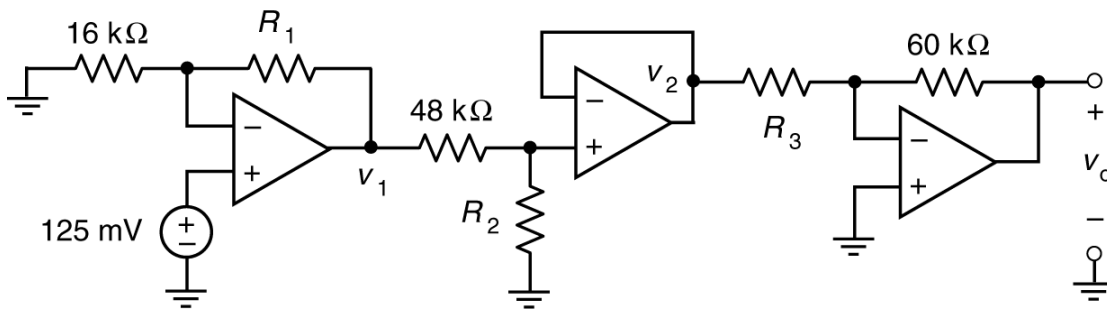
Fill in the blanks in the following statements:

a) When $R = \underline{\quad 8 \quad} \Omega$ then $v = 8 \text{ V}$.

b) When $R = \underline{\quad 24 \quad} \Omega$ then $i = 0.6 \text{ A}$.



6.



The values of the node voltages v_1 , v_2 and v_0 , are $v_1 = 875$ mV, $v_2 = 350$ mV and $v_0 = -600$ mV. Determine the value of the resistances R_1 , R_2 and R_3 :

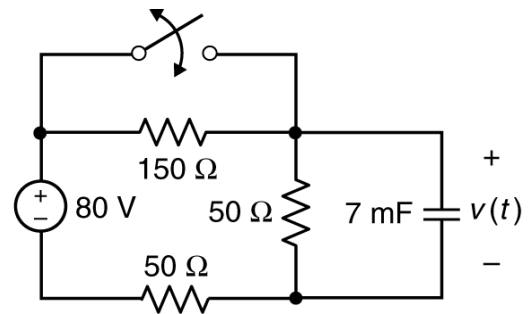
$$R_1 = \underline{\quad 96 \quad} \text{ k}\Omega, \quad R_2 = \underline{\quad 32 \quad} \text{ k}\Omega \text{ and } R_3 = \underline{\quad 35 \quad} \text{ k}\Omega.$$

7. a) Determine the time constant, τ , and the steady state capacitor voltage, $v(\infty)$, when the switch is **open**:

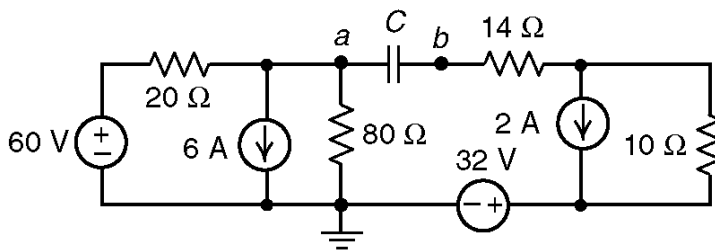
$$\tau = \underline{\quad 280 \quad} \text{ ms} \quad \text{and} \quad v(\infty) = \underline{\quad 16 \quad} \text{ V}$$

b) Determine the time constant, τ , and the steady state capacitor voltage, $v(\infty)$, when the switch is **closed**:

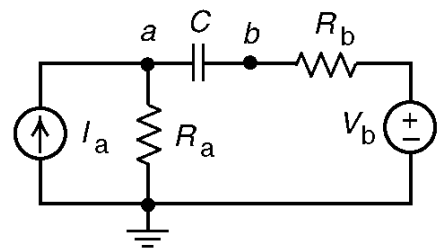
$$\tau = \underline{\quad 175 \quad} \text{ ms} \quad \text{and} \quad v(\infty) = \underline{\quad 40 \quad} \text{ V}$$



8.



original circuit



equivalent circuit

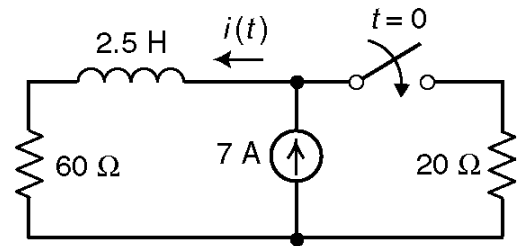
The equivalent circuit on the right is obtained from the original circuit on the left using source transformations and equivalent resistances. (The lower case letters a and b identify the nodes of the capacitor in both the original and equivalent circuits.) Determine the values of R_a , I_a , R_b and V_b in the equivalent circuit:

$$R_a = \underline{16} \Omega, \quad I_a = \underline{-3} \text{ A}, \quad R_b = \underline{24} \Omega \quad \text{and} \quad V_b = \underline{12} \text{ V}.$$

9. This circuit is at steady state before the switch closes. The inductor current can be represented as

$$i(t) = A + B e^{-at} \text{ Amps for } t > 0$$

Determine the values of the real constants A , B and a :



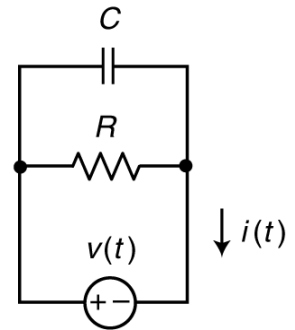
$$A = \underline{1.75} \text{ Amps}, \quad B = \underline{5.25} \text{ Amps} \quad \text{and} \quad a = \underline{32} \text{ 1/s}.$$

10. The input to this circuit is the voltage: $v(t) = 20 + 4e^{-7t}$ V for $t > 0$

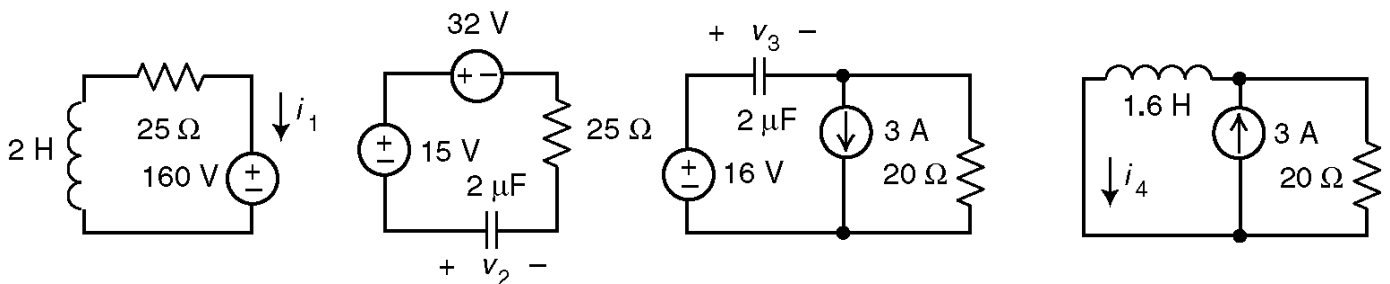
The output is the current: $i(t) = 2 - 10.1e^{-7t}$ A for $t > 0$

Determine the values of the resistance and capacitance:

$$R = \underline{\quad 10 \quad} \Omega \quad \text{and} \quad C = \underline{\quad 375 \quad} \text{mF}.$$



11. Here are 4 separate dc circuits. Because they are dc circuits, the capacitors in these circuits act like open circuits and the inductors act like short circuits. Determine the values of i_1 , v_2 , v_3 and i_4 .



$$i_1 = \underline{\quad -6.4 \quad} \text{A}, \quad v_2 = \underline{\quad 17 \quad} \text{V}, \quad v_3 = \underline{\quad 76 \quad} \text{V} \quad \text{and} \quad i_4 = \underline{\quad 3 \quad} \text{A}.$$