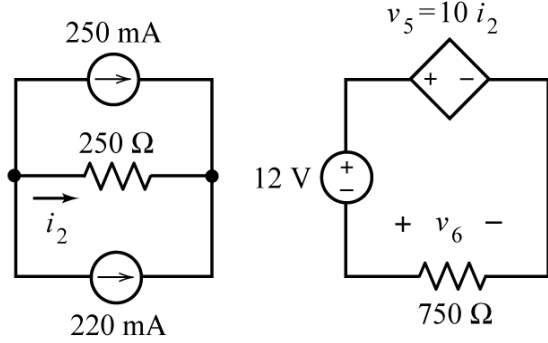
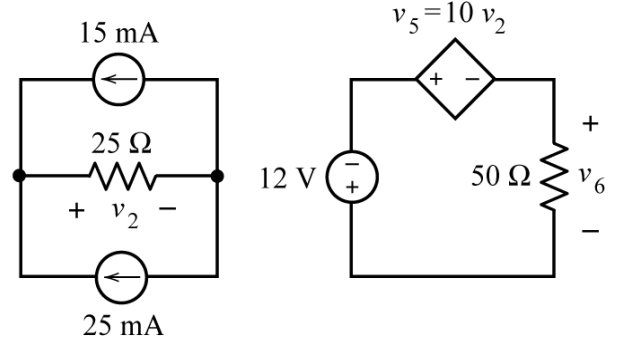


1.



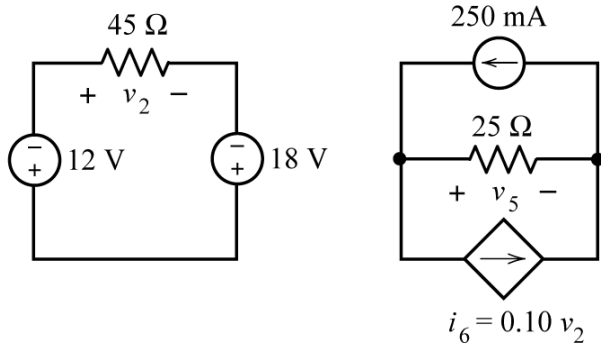
Determine  $v_6$ .

2.



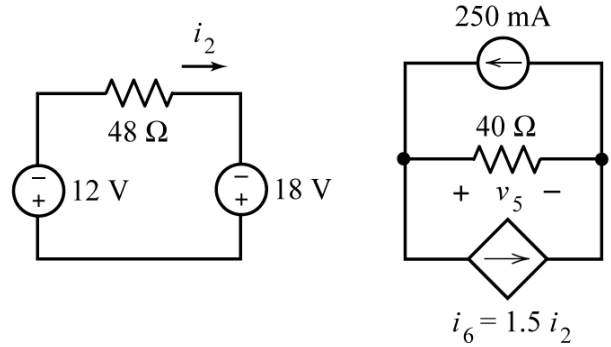
Determine  $v_6$ .

3.



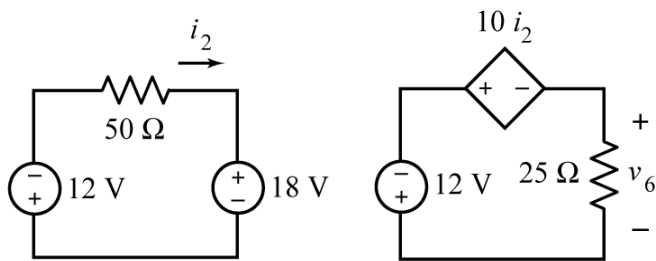
Determine  $v_5$ .

4.



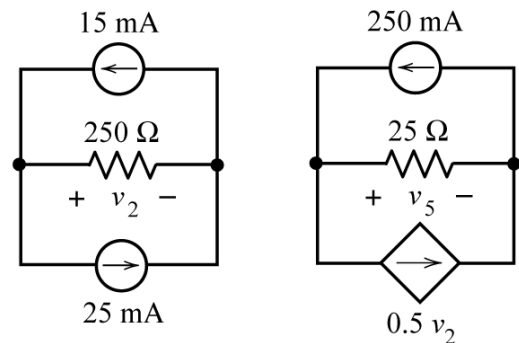
Determine  $v_5$ .

5.



Determine  $v_6$ .

6.



Determine  $v_5$ .

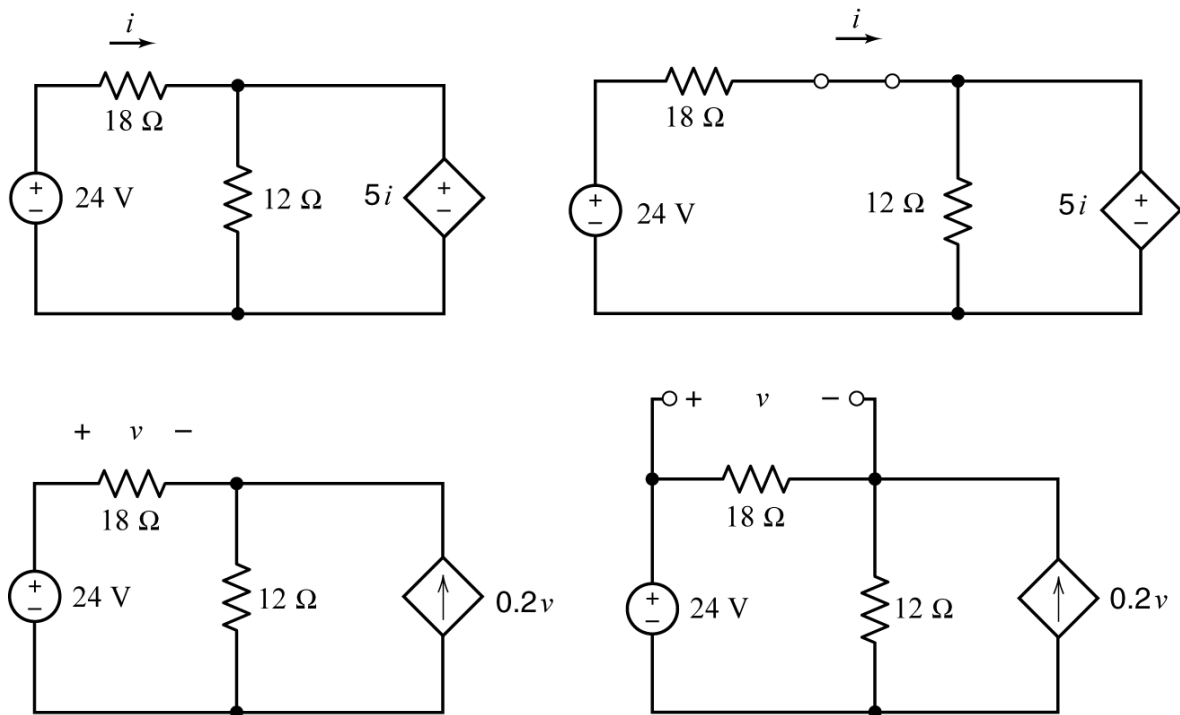


Figure 2.7-1

Table 2.7-1

Name	Symbol	Equation
VCVS		$v_d = A v_c$ $i_d = ?$
CCVS		$v_d = R i_c$ $i_d = ?$
VCCS		$i_d = G v_c$ $v_d = ?$
CCCS		$i_d = B i_c$ $v_d = ?$