

FIGURE 4.2-1 Circuit with an independent voltage source and an independent current source.

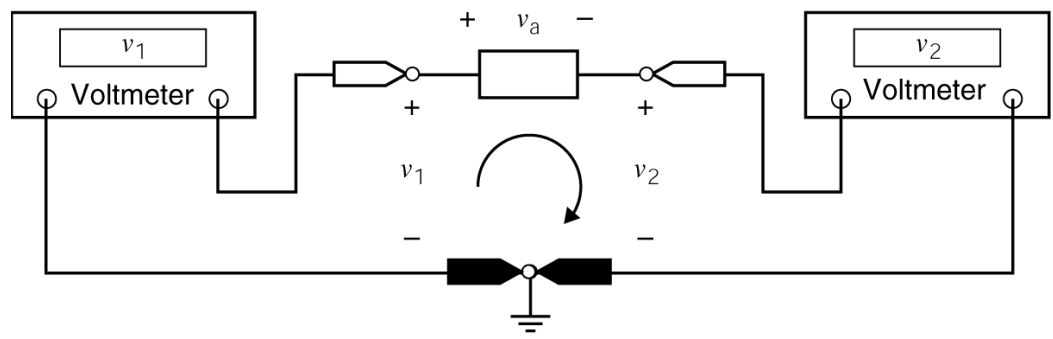


FIGURE 4.2-2 Circuit with a supernode that incorporates v_a and v_b .

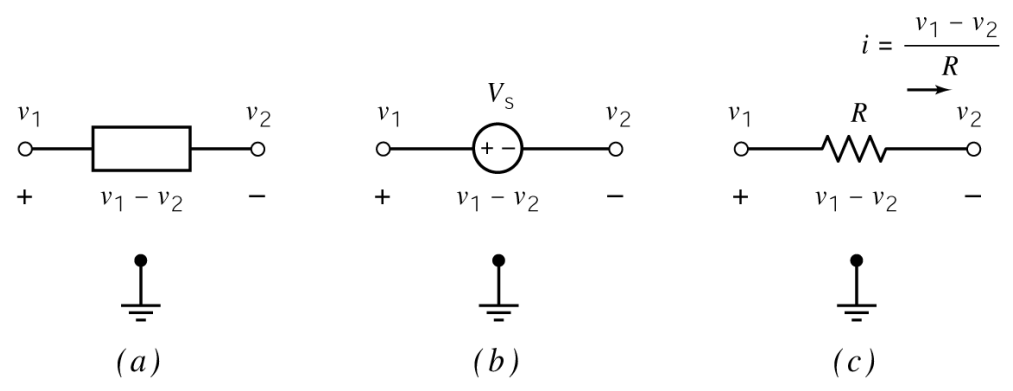


FIGURE 4.2-3 A circuit containing two voltage sources, only one of which is connected to the reference node

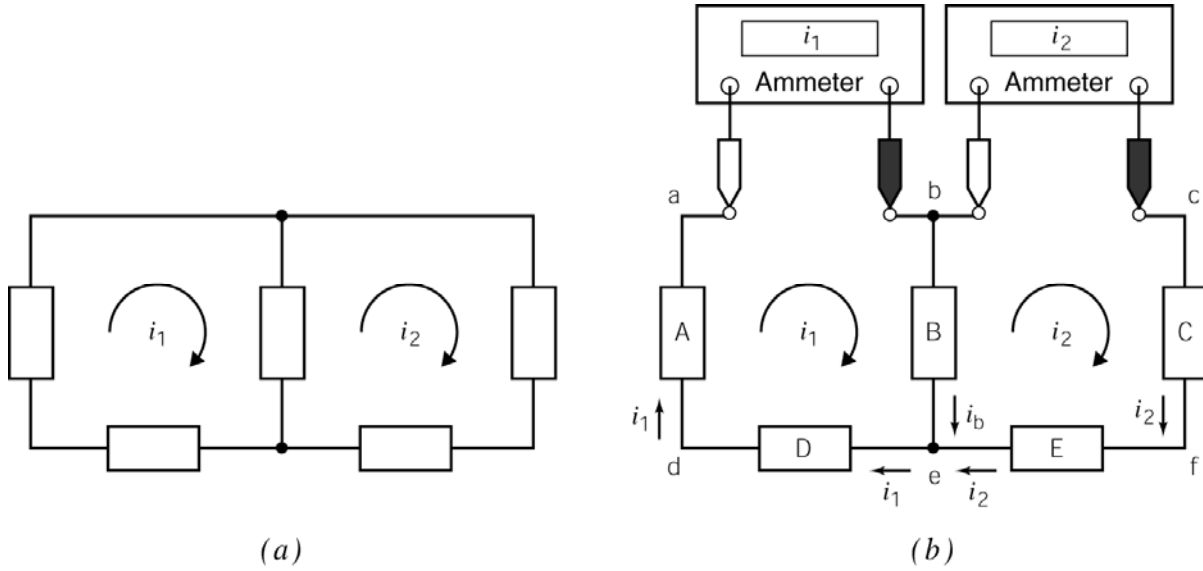


FIGURE 4.5-3 (a) A circuit with two meshes. (b) Inserting ammeters to measure the mesh currents.

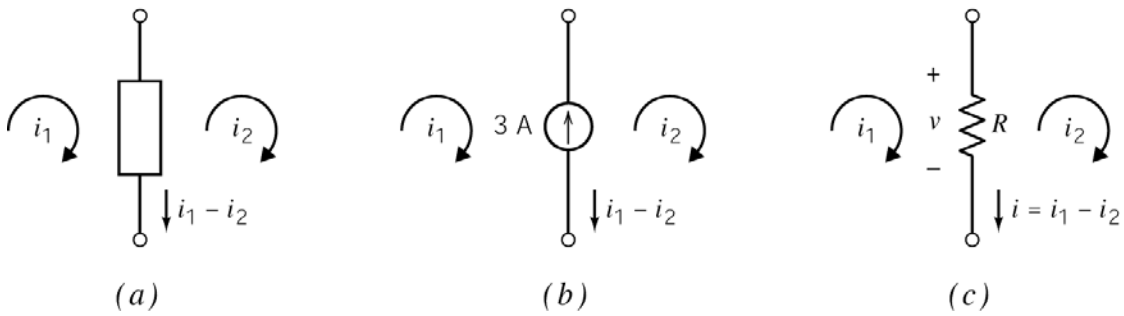


FIGURE 4.5-4 Mesh currents, i_1 and i_2 , and element current, $i_1 - i_2$, of a (a) generic circuit element, (b) current source, and (c) resistor.

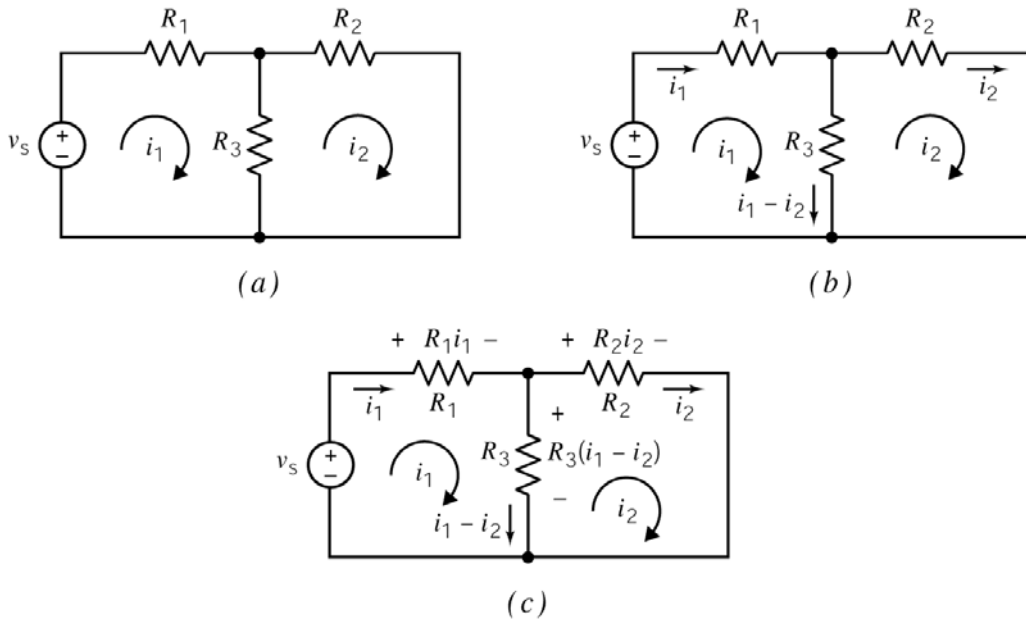


FIGURE 4.5-5 (a) A circuit. (b) The resistor currents expressed as functions of the mesh currents. (c) The resistor voltages expressed as functions of the mesh currents.